

Model 9910-GR40 Control Unit

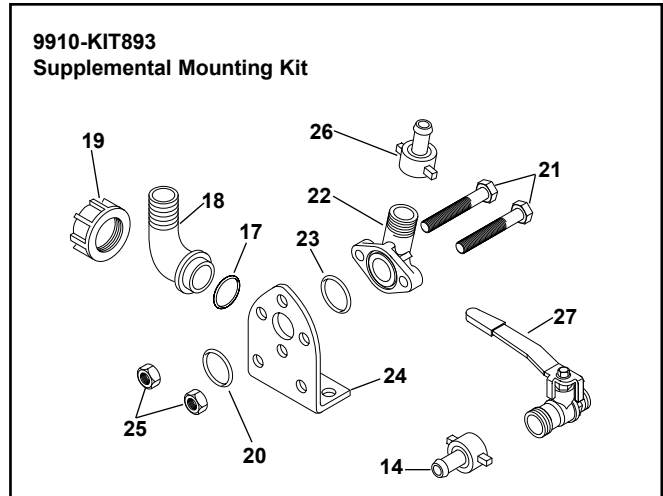
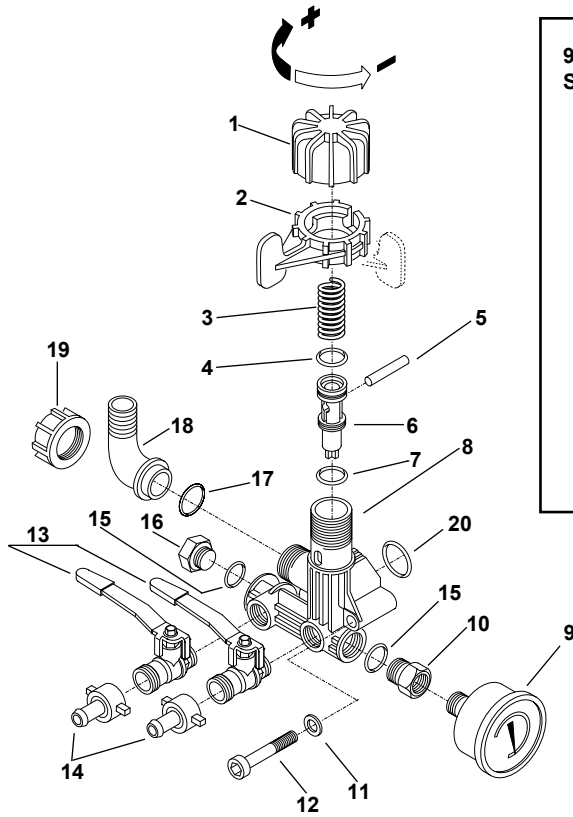


Figure 15

9910-GR40

Ref. No.	Part Number	Description	Qty.
1	9910-1880220	Adjustment Knob	1
2	9910-1880210	Ring Nut	1
3	9910-1880271	Spring	1
4	9910-480440	O-Ring	1
5	9910-1880240	Pin	1
6	9910-1880230	Jet	1
7	9910-1880260	O-Ring	1
8	9910-1880200	Valve Body	1
9	9910-1880290	Pressure Gauge	1
10	9910-1880250	Pipe Reducer	1
11	9910-390311	Washer	2
12	9910-680360	M8 x 50 Bolt	2
13	9910-130491	Ball Valve	2
14 ¹	9910-110131	Hose Fitting	2
15	9910-740290	O-Ring	2
16	9910-130171	Plug	4
17 ¹	9910-880830	O-Ring	1
18 ¹	9910-550460	Elbow	1
19 ¹	9910-550450	Ring Nut	1
20 ¹	9919-1140450	O-Ring	1

9910-KIT893

Ref. No.	Part Number	Description	Qty.
14 ¹	9910-110131	Hose Fitting	2
17 ¹	9910-880830	O-Ring	1
18 ¹	9910-550460	Elbow	1
19 ¹	9910-550450	Ring Nut	1
20 ¹	9919-1140450	O-Ring	1
21 ¹	9910-1880310	Bolt	2
22 ¹	9910-450145	Flange	1
23 ¹	9910-550350	O-Ring	1
24 ¹	9910-320406	Bracket	1
25 ¹	9910-390270	Nut	2
26	9910-110130	Hose Fitting	1
27	9910-130491	Ball Valve	1

9910-KIT2488 Valve Repair Kit	
Ref. No.	Qty.
3	1
4	1
5	1
6	1
7	1

¹ Denotes 9910-KIT893 Items

Ref. No.	Description	Tightening Torque	
		In. Lbs.	Nm
12	Bolt	87.5	9.8
16	Plug	87.5	9.8